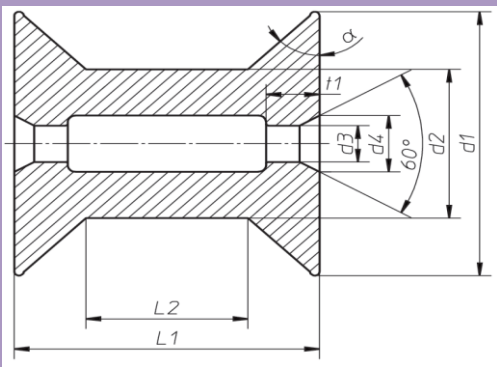


## Reels Characteristics

reel type	reels dimensions in mm					reel weight	recommended for sizes from/to (mm)	nom. wire weight	in box
biconical reels	D1	D2	D3	L1	L2	in gr	mm	kg/reel	pcs.
HK 81/45	80	55	16	100	69,5	80	0.018 - 0.027	0,8	18
HK 98/45	100	56	16	100	49	130	0.028 - 0.032	1,6	18
HK 124/45	125	71	16	125	65	160	0.028 - 0.038	3	6
HKL 124/45	125	71	22	200	140	290	0.028 - 0.038	4,5	4
HK 158/45	160	90	22	160	85	315	0.039 - ---	6,5	4



d1 - Flange Diameter / Flanschdurchmesser  
d2 - Barrel Diameter / Kerndurchmesser  
d3 - Bore Diameter / Bohrung  
L1 - Total Width of L2 max. / Gesamtbreite  
L2 - Winding Width (min/max) / Spulbreite

Standard Enameled wire	DIN	NEMA	JIS	KS	BS
UEW (Polyurethane)	IEC 317	NW 2-C	C3211	C3109	4520
AIW (Amide-imide)		---	JCS334	---	---
EIW (Ester-imide)		MW 30-C	JCS333	C3217	4665
SBUEW (Self-bonding)		MW 3-C	C3212	C3126	---

recommended spool sizes			
nom. $\phi$	size	alternative: size HK(L) 124	
up to 0,027	HK 81	nom. $\phi$	size
0,028	HK 98	0,028	HK(L) 124
up to 0,032	HK 98	up to 0,038	HK(L) 124
0,039	HK 158	0,038	HK(L) 124
up to 0,050	HK 158		

$\phi$	MOQ kg
> 0.020	20 kg
> 0.029	30 kg
> 0.044	50 kg
> 0.050	100 kg

insulation classes	
90°C	Y
105°C	A
120°C	E
130°C	B
155°C	F
180°C	H
200°C	N
220°C	R